

Trident

Dome structure is the biggest structure in the dome family. This structure is comfortable covering any event. Its massive self supporting roof span delivers a 20m diameter floor space that can cover events from gigs and parties through to conferences and product launches..

Evolution Dome



Capricorn House
Fen Road, Pidley
Cambs, PE28 3DD

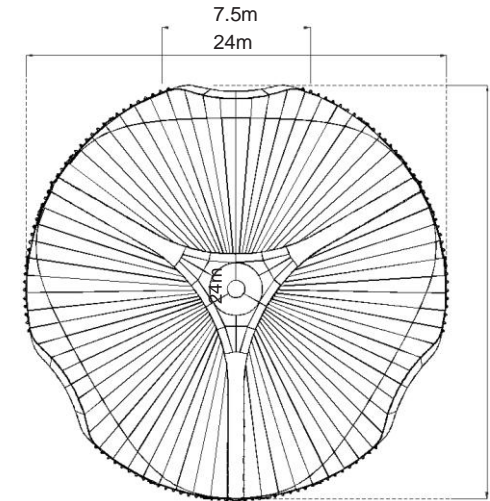
Tel: 07513 492992
07970 901267

Email: Ash@EvolutionDome.co.uk
Dan@EvolutionDome.co.uk

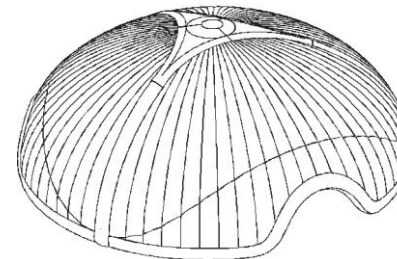
www.Evolutiondome.co.uk

External Dimension:	> 24mø x 8.2mH (when inflated) > 30mø (with silenced fan units)
Door Heights:	> 2.5m
Internal Dimensions:	> 20mømax – height 5.7m
Max Usable Floor Area:	> 365m ²
Min Build Site Area:	> 30mø
Capacity:	
Seating:	> See Capacity Diagrams
Exhibition:	
Standing:	
Min Set Up Crew Required:	> 10 People
Min Set Up Time:	> 2 hours
Min Inflation Time:	> 20 mins
Min Secure Power Required:	> 30KVA
Fans:	> 10 x 1.5HP
Ground Fixings:	> 24 x Terra Bolts or 12 tonnes of Ballast
Dimension Structure: (De-flated & Packed)	> 2000mm x 1700mm x 1400mm
Weight Structure: (De-flated & Packed)	> Gross 1400 Kgs Nett 1170 Kgs

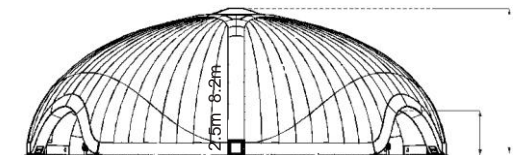
EXTERNAL DIMENSIONS & ARRANGEMENT



PLAN



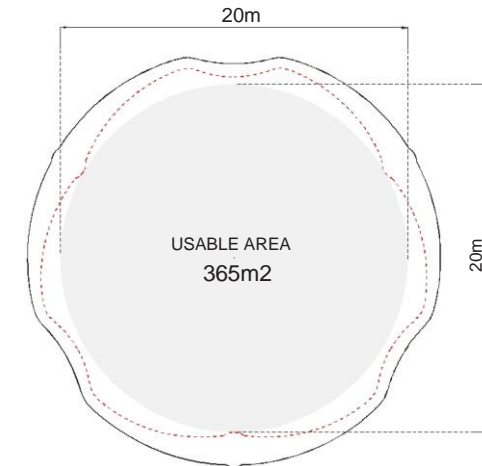
PERSPECTIVE



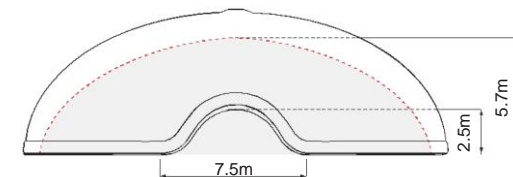
FRONT

- Dimension Fan:** > 560mm x 275mm x 530mm per fan
- Weight Fan:** > 16Kgs per fan
- Colour:** > White / Frosted / Silver or
Black out / Silver
- Core Package:** > Structure, bag, night sheets x 2,
inflatable closure, ground sheet,
instruction manual

INTERNAL DIMENSIONS



PLAN

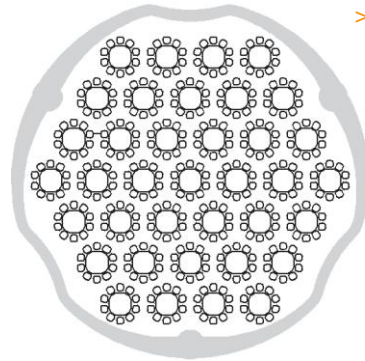


Please note > It is the responsibility of the client or site management to ensure that the power used for the running of the fans is secure and tested. Evolution Dome cannot be held responsible for any power failure under any circumstances.

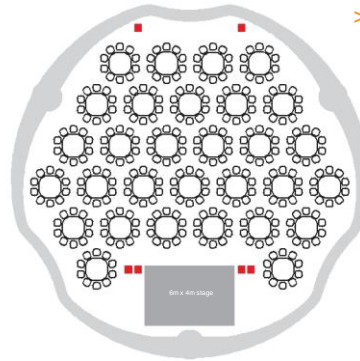
Trident

Capacity

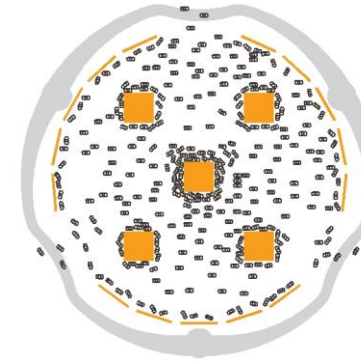
Evolution Dome



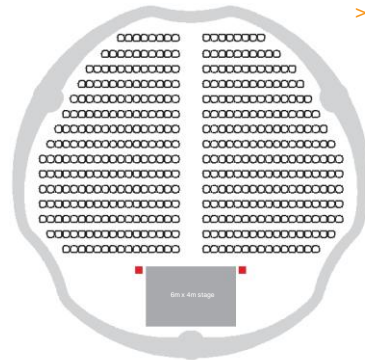
> 37 TABLES
370 SEATS



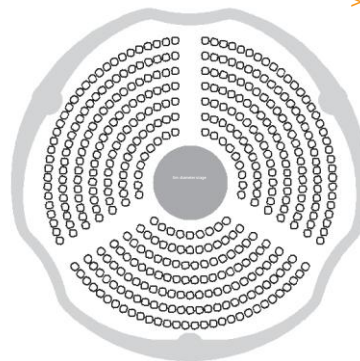
> 30 TABLES
6X4m STAGE
300 SEATS



> EXHIBITION
374 PEOPLE



> 454 SEATS
6X4m STAGE

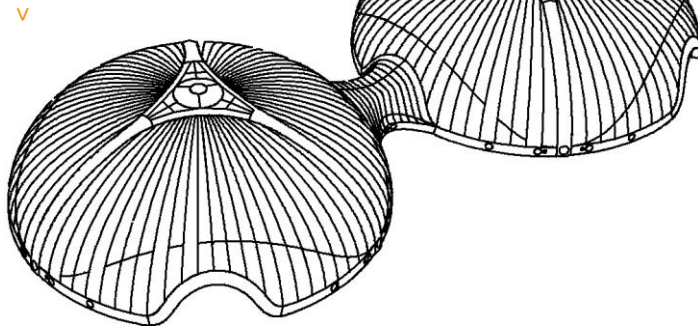


> 414 SEATS
5m DIAMETER STAGE

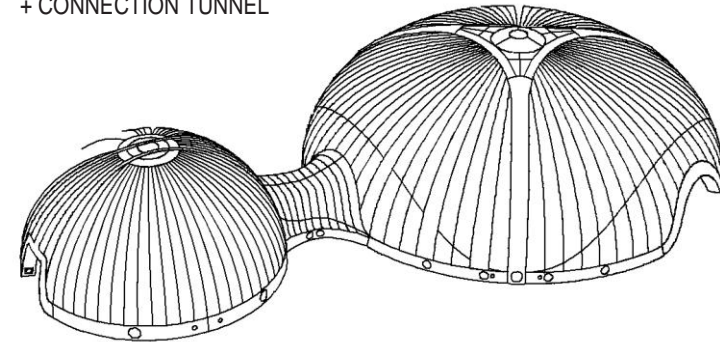
- TABLE + 10 SEATS
- STAGE
- SPEAKERS
- EXHIBIT
- PEOPLE (BASED ON 1 PERSON PER M SQ)

Due to the unique nature of the Inflate Structures the interiors are used for a vast range of functions with varying layouts. The layouts within this document demonstrate how to best optimize the space for dining, conference, presentation, and exhibition layouts.

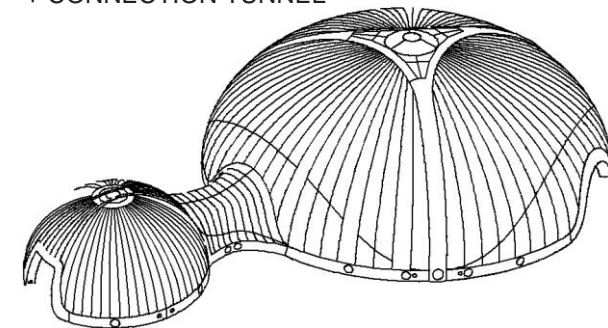
TRIDENT TO TRIDENT
WITH CONNECTING TUNNEL



TRIDENT - 14m DOME
+ CONNECTION TUNNEL



TRIDENT - 10m DOME
+ CONNECTION TUNNEL



Evolution Dome's range of Domes are completely unique and can now be interlinked to create dynamic open space and zones using the modular connecting tunnel system. Whether it is linking two domes of the same or numerous combinations, the space provided is only limited by the user's imagination.

Branding >

Branding can be applied permanently to the structures as screen print or offset digital printing at the source of production. Temporary branding can be added as vinyl or Dacron adhesive panels to pre made structures.

Please note that not all artwork is possible to apply to the structures and samples of proposed artwork should be supplied as soon as possible for review by Evolution Dome for sizing and positioning requirements.

Bespoke Colours >

Bespoke colours of structures can be supplied, but this will increase the general lead-time by c.30 days. All the designs can be manufactured as black out structures with black or white interiors for enhanced laser and projection effects. The Evolution Dome's 10m and 14m domes can have fully branded and coloured over covers joined to them. These over covers will create a smoother effect to the domes.

Fabrics and Materials >

All the structures are constructed from Rip Stop Nylon and Polyester Re enforced PVC. Other fabrics can be used in the production subject to the tests and costs.

All fabrics are tested for performance of flammability for textiles used in the construction of marquees and similar textiles structures to standards: BS 7837:1996 / BS 5438:1989 / Test Method B

Lighting >

Evolution Dome offers a range of LED and Florescent lighting to enhance the evening effect of the structures. Florescent Internal lighting provides lower wall ambient lighting effect. The LED lights can be used as colour changing spot lights or wall washers. The internal trussing systems can be used to mount lighting for specialist lighting effects. Inflation will liaise with Lighting specialists to help tailor their buildings where possible to enhance this product offer.

Wind Loading >

We recommend that all of our structures can be used in wind loads of up to 30mph based on the standard ground fixing specified in this document.

The structures can and will stay stable in higher wind loads with extra ground fixings and can be further enhanced with internal trussing to achieve full building regulations for permanent installations.

The structures are either secured to the ground using internal ballast which fits inside the walls of the structures via a zip opening or by tying to ground anchors such as 'platypus' anchors or 'terra' bolts. All the structures have 50mm webbing tie loops at approx 450mm around the outer parameter of the structures. Each of these tie points are capable to hold 150kg load.

These structures have been designed for the demand of temporary events to offer efficient installation and de rig time. We recommend a 500kg ground anchor every 2m around the parameter of the structures. These are then connected via 5 ton webbing straps. Please refer to build manual. The higher the wind load the greater the deflection in the structures. This will be subject to the form and the direction the wind comes from. We recommend that any internal fit outs of the structures have no sharp objects closer than 1.5m to inner membrane at heights over 2m unless internal trussing is used.

As a company Evolution Dome cannot be responsible for weather conditions and the health and safety on site is always the responsibility of the projects site manager.

Weather Conditions >

Evolution Dome has no control over the weather conditions during use and advise all events are monitored for extreme weather. All the structures are designed as airflow systems and this acts as an air repulsion to stop water from coming into the structure allowing it to run down the outside of the structure to the ground. As with all outdoor events this is 99% effective in most situations.

Whilst none of our structures have been engineered for specific snow loads, we have been able to maintain our structures in snow conditions by increasing the number of fans used, installing additional trussing support as well as maintaining a higher temperature internally within the structure. However, loads cannot be guaranteed and would need to be reviewed on an individual project, condition and location basis.

Flooring >

There is a range of flooring we can offer: Snap Lock flooring offers a good solution for quick installation of plastic flooring to cover grass. This will stop build up of mud and dirt. It will follow the contours of the grass and should not be expected to give a flat totally level floor. The tiles are 15mm thick. The floor can be further enhanced with carpet or other top finishes. 100mm wooden ply decking shaped to the profile of the structure offers the best opportunity for creating a solid level floor for the buildings. The flooring is levelled using packers up to 150mm. For any installation where the undulations are greater than this may require specific design solutions to achieve a level floor? The flooring is able to have solid wooden doors and other such features combined with it. This flooring can be covered with exhibition carpet / rubber flooring and have recessed lighting etc.

Aluminium adjustable staging is available in various square and rectangular sizes of 1220 by 1220mm / 1830 by 1220mm / 2440 by 1220mm. Please note the staging cannot be shaped to the profile of all the inflatable structures. The stage heights start at 800mm and the loading capacity varies from 350 – 750kg subject to the height and design.

Trussing >

All Evolution Dome structures are designed to free stand without internal trussing. The internal trussing we offer has been designed specifically for each of the structures as an architectural enhancement that can be used to enhance the interior with lighting / projectors / plasma screens acoustic speakers etc. The Trussing will further aid the wind performance of the buildings by reducing any deflection that could occur in high wind loads. Structural trussing for permanent installations is developed and produced upon site-specific requirement and request only.

Connectability >

All the Evolution Dome's Domes and Tridents have a standardised tunnel connection system for joining them together in any combination possible.

Doors & Closures >

Most of our structures come with lightweight zip in night sheets and inflatable zip in closures. The structures can also be fitted with painted wooden doors. These doors come as double or single openings subject to the design, and can have push bar fire latches. The doors are recommended for use with ply decking or aluminium adjustable decking, but can be used directly onto other surfaces subject to site conditions and client expectations. Airclad® doors are available for the higher specification architectural designed solutions.

Noise Reduction >

The outdoor structures use a range of 0.75 or 1.5hp fans. These run at 70 – 90db and for most outdoor events this sound will dissipate. However, Evolution Dome has developed its own patent pending noise reduction system for the outdoor fans. This will reduce the noise to 50db at source and down to 40db at 15m. This is on par with standard ambient noise outside a city! The noise reduction units allow the structures to be used as intimate working spaces as well as big launch events and parties.

Transportation >

By nature of inflatable products they pack down to a fraction of their inflated size. Transportation can be as simple as putting an OIAB on the back of a scooter to fly across a city to make a presentation. The idea of the pop up presentation with Evolution Dome's inflatable products has so much more theatre than other flimsy alternatives.

The larger the buildings become the bigger these packages are with small vans and trailers offering quick and simple transport solutions. Though the Trident (Evolution Dome's largest structure) weighs in around 1400kg it still packs into a case (2m x 1.7m x 1.4m) and can be transported on a trailer. As your event grows and the demands for flooring and other accessories become larger, the transportation can be simply extended to artic trucks.

Evolution Dome Warranty >

Evolution Dome's offer a one year warranty which covers the quality of fabric, manufacture and suitability for use, in line with our Inflate Build & Care Manuals.

However, due to the nature of use and conditions in which some structures are erected, Evolution Dome's reserve the right to inspect, decide and advise on a suitable course of action in conjunction with this warranty.

Any additional enhancers to the structure, such as lighting & flooring will obviously affect the 'Min Set Up Time' as shown above and should be taken into account for any event. All dimensions, weights and timings and general details in this document are subject to change, and Evolution Dome maintain the right to change these at any time it sees fit. For further information on this please contact us.



